

Technical Specification



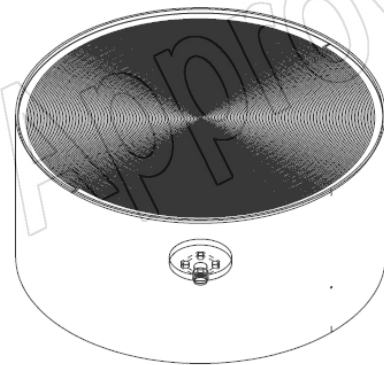
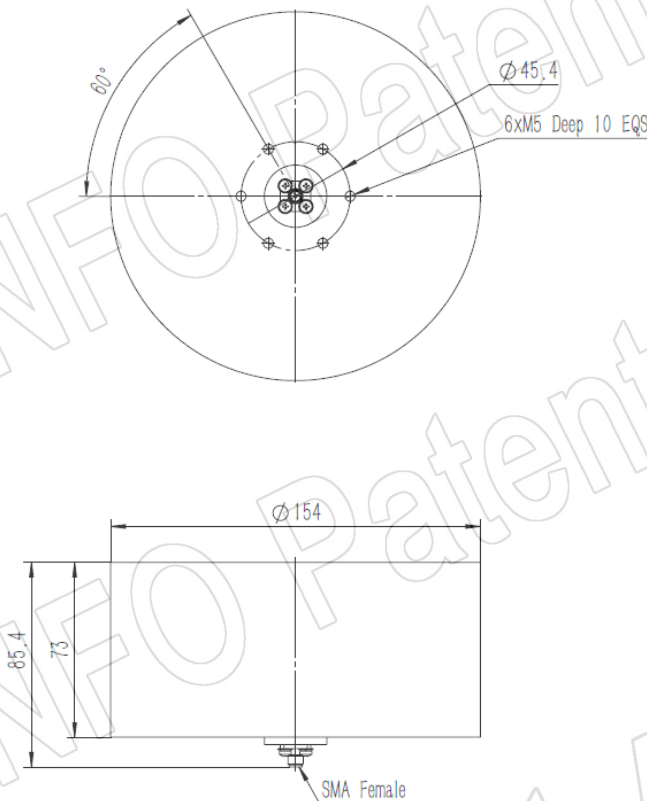
Frequency Range(GHz)	0.8 - 8.0
Gain(dBic)	-11.0 – 5.5
	0 Typ.
Polarization	RHCP or LHCP
Axial Ratio(dB)	2.0 Typ.
	3.5 Max.
3dB Beamwidth(deg)	E Plane: 115 - 65
	H Plane: 105 - 65
VSWR	1.5:1 Typ.
	3.0:1 Max.
Connector	SMA-Female
Material	Al
Size(mm)	154 x 154 x 85.4
Net Weight(Kg)	1.20 Around

PATENT ID (China)

ZL201921373071.0

Outline Drawing (Size: mm)

SMA-Female Output (P/N: LX-880_RHCP or LX-880_LHCP)



AINFO Inc.

Page 1 of 8

China(Beijing):
China(Chengdu):
USA :

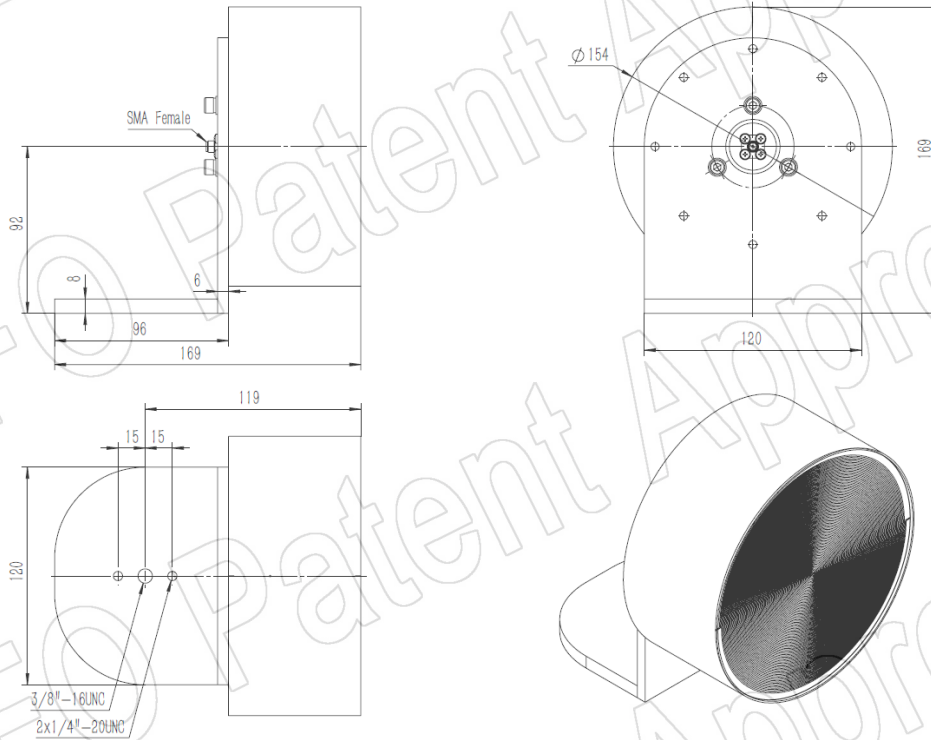
Tel: (+86) 10-6266-7326,
Tel: (+86) 28-8519-2786,
Tel: (+1) 949-639-9688,

(+86) 10-6266-7327
(+86) 28-8519-3044
(+1) 949-639-9608

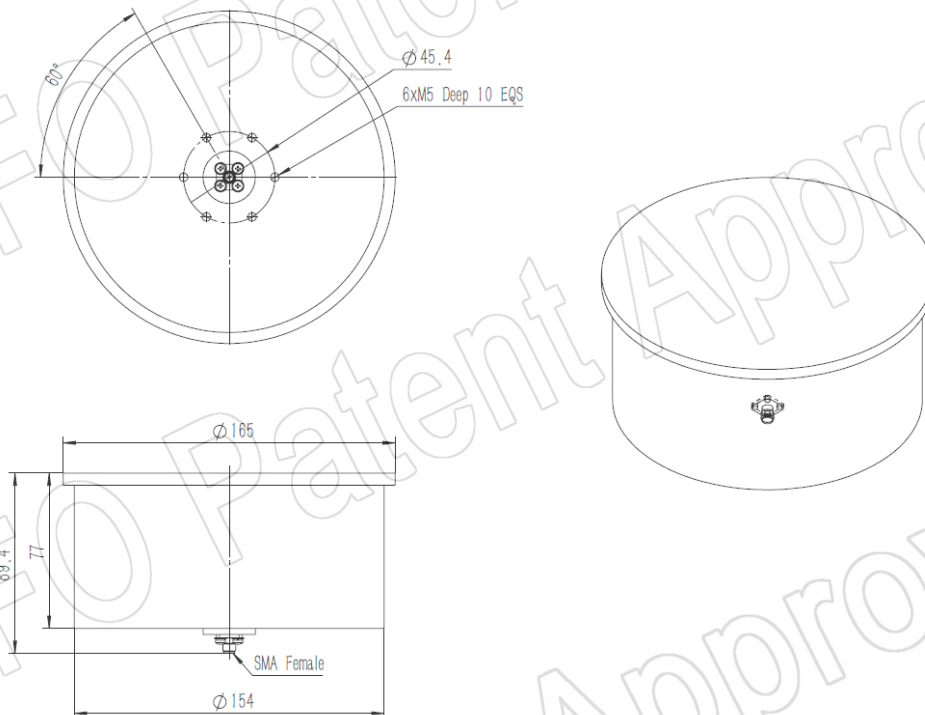
Fax: (+86) 10-6266-7379
Fax: (+86) 28-8519-3068
Fax: (+1) 949-639-9670

Website: www.ainfoinc.com
Email: sales@ainfoinc.com

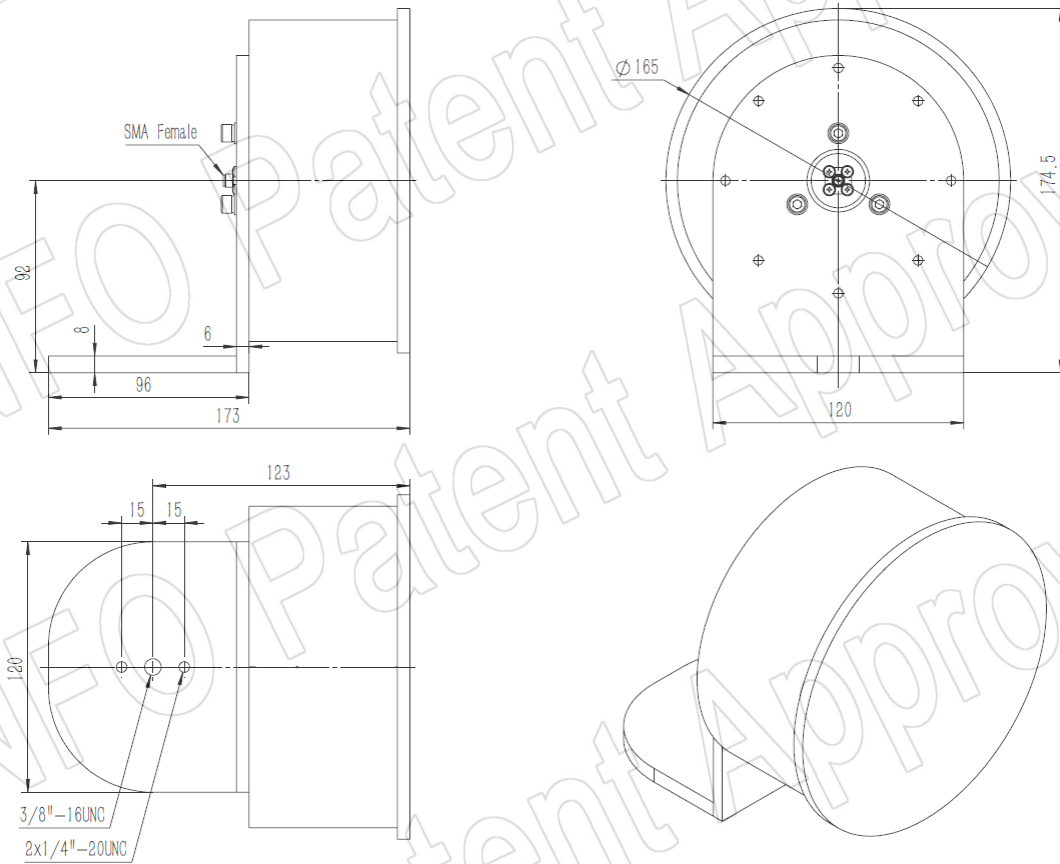
SMA-Female Output with L Type Mounting Bracket (Option, P/N: LX-10180-L)



SMA-Female Output with Radome (Option, P/N: LX-880_RHCPSP0 or LX-880_LHCPSP0, Outdoor Application)

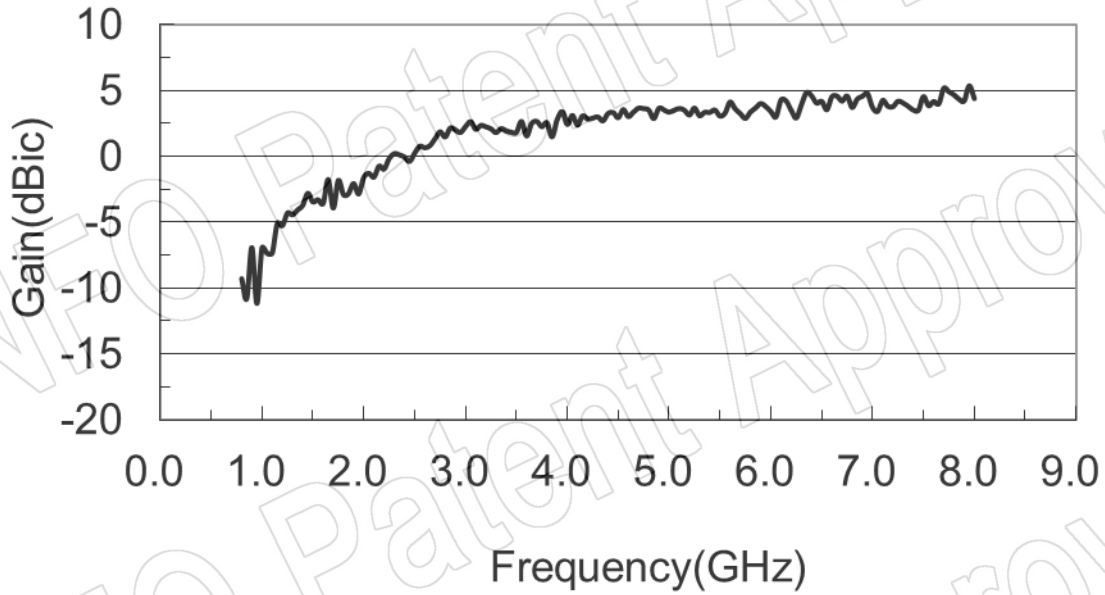


SMA-Female Output with L Type Mounting Bracket & Radome (Option, P/N: LX-10180-L & LX-880_RHCPSP0 or LX-880_LHCPSP0, Outdoor Application)

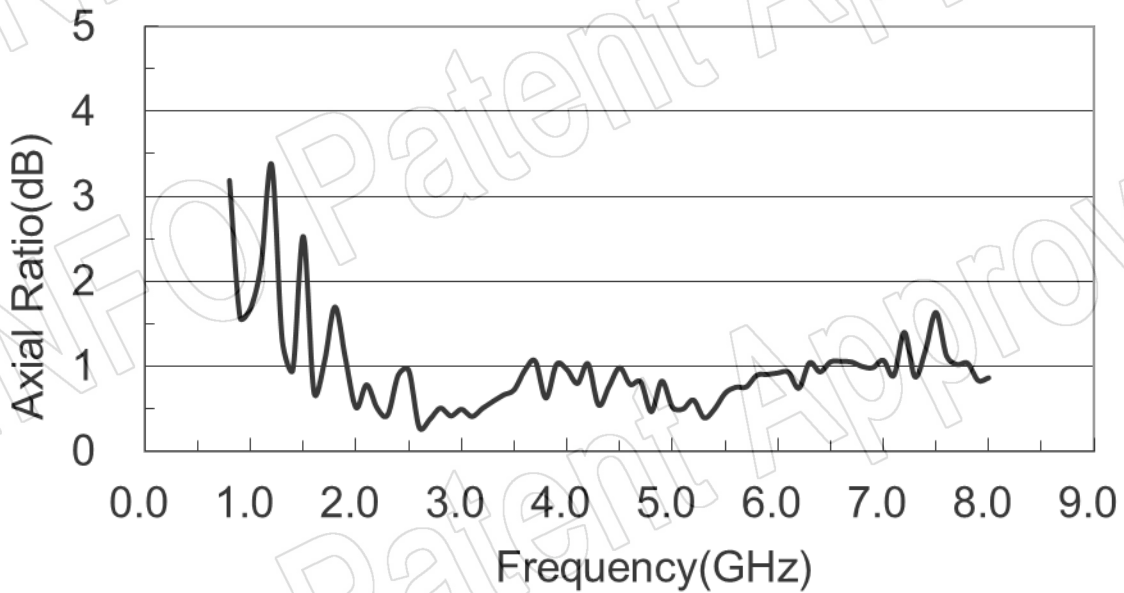


Test Results

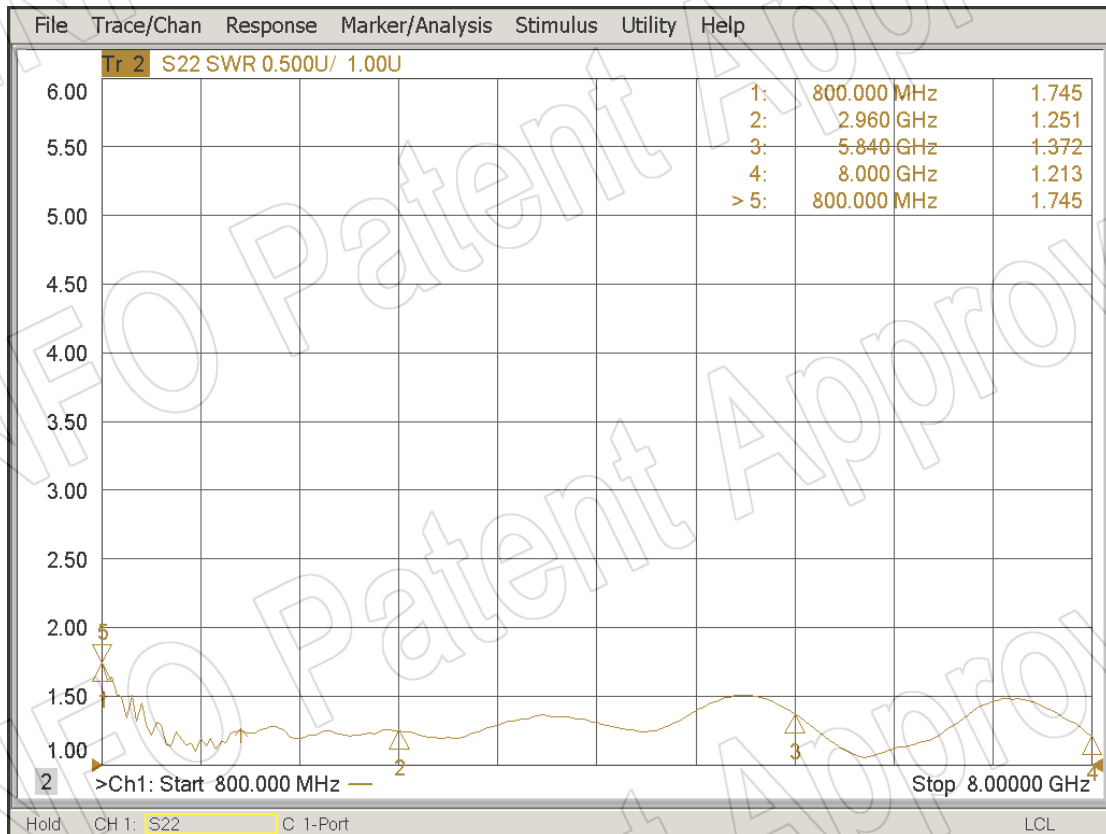
1. Gain



2. Axial Ratio



3. VSWR



4. Pattern

